

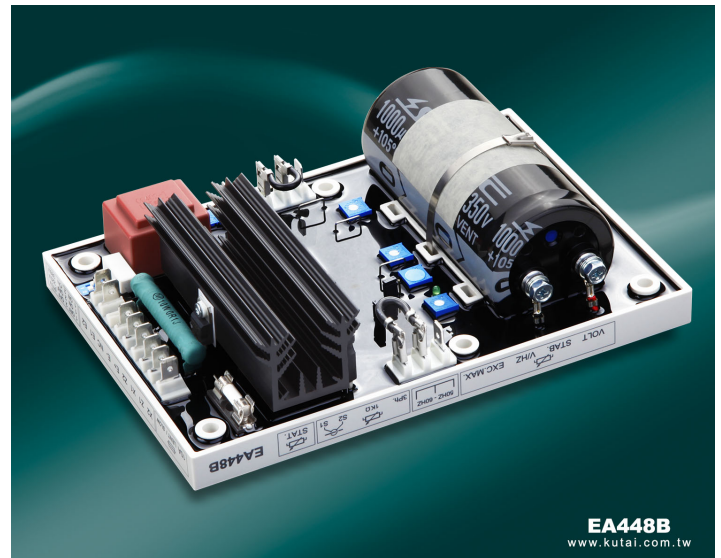
# EA448B

## Automatic Voltage Regulator 160Vdc 10Amp

Compatible with Leroy Somer R448, R449, R450 and R438 regulators

### Features

- Voltage regulation less than +/-0.5%
- Load acceptance module (LAM)
- 50/60 Hz selectable
- Under frequency & Exc. max protection
- Soft start voltage ramping
- Normal rapid response time (Option)
- Applicable for PMG or A.R.E.P or Auxiliary Winding
- Apply with KUTAI [EPMG 1270 / EPMG 2470](#) to exceeds normal generator motor starting capabilities

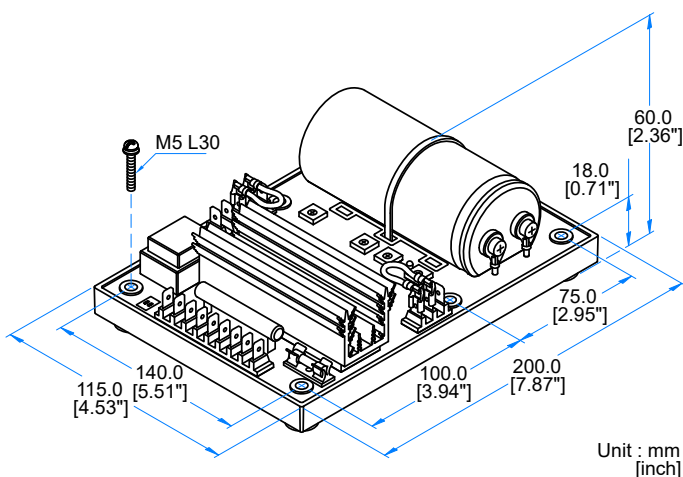


**EA448B**  
www.kutai.com.tw

### Specifications

<b>Sensing Input</b>	Voltage 95 to 520 Vac 1 phase 2 wire	<b>Build Up Voltage</b>	5 Vac 25Hz residual volts at power input terminal
<b>(Average Reading)</b>	(DIP Switch Settings)	<b>Excitation Output</b>	Continuous 110 Vdc 7A @ power input 120 Vac
	110 Vac Adjustment Range 95 – 140 Vac		Max. 160 Vdc 10A for 10 Sec.
	220 Vac Adjustment Range 170 – 260 Vac		Resistance Min. 15Ω, Max. 100Ω @120V
	380 Vac Adjustment Range 340 – 520 Vac		Fuse Spec. Slow blow 5 x 20mm 10A
	Frequency 50/60 Hz (Jumper selected)	<b>Voltage Regulation</b>	Less than +/- 0.5% (with 4% engine governing)
<b>Power Input</b>	Voltage 40 to 150 Vac 1 phase 2 wire	<b>Soft Start Ramp Time</b>	3 seconds +/- 10%
	Frequency 40 to 500 Hz	<b>Typical System Response</b>	0.3 to 1 second @ +/-20% voltage vibration
<b>Auxiliary Input</b>	Voltage 40 to 150 Vac 1 phase 2 wire	<b>Static Power Dissipation</b>	Max. 4 watts
	Frequency 40 to 500 Hz	<b>Under Frequency Protection</b>	50 Hz system knee point at 45Hz
<b>External Volts Adjustment</b>	Max. +/-10% @ 1KΩ 1 watt potentiometer		60 Hz system knee point at 55Hz
<b>Quadrature Droop Input</b>	Sensitivity +/- 7%@ PF +/- 0.7 (STAT. Adjustable)	<b>Over Excitation Current limitation</b>	3.5A to 10A (EXC.MAX. Adjustable)
		<b>Voltage Thermal Drift</b>	Less than 3% from -40 to +70 °C

### Dimensions



### AVR Control Functions

<b>VOLT</b>	Voltage adjustment
<b>STAB</b>	Stability adjustment
<b>V/HZ</b>	Under Frequency Adjustment
<b>EXC.MAX</b>	Over Excitation Current Limiting
<b>STAT</b>	Quadrature Droop Adjustment

### Environment

<b>Operating Temperature</b>	-40 to +70 °C
<b>Storage Temperature</b>	-40 to +85 °C
<b>Relative Humidity</b>	Max. 95%
<b>Vibration</b>	5.5 Gs @ 60 Hz

### Physical Specifications

<b>Dimensions</b>	203.0 (L) x 153.0 (W) x 60.5 (H) mm 7.99 (L) x 6.03 (W) x 2.38 (H) inch
<b>Weight</b>	850 g +/-2% 1.874 lb +/- 2%

\*All manufacturer names and numbers are used for reference purpose only and do not imply that any part is the product of these manufacturer.

